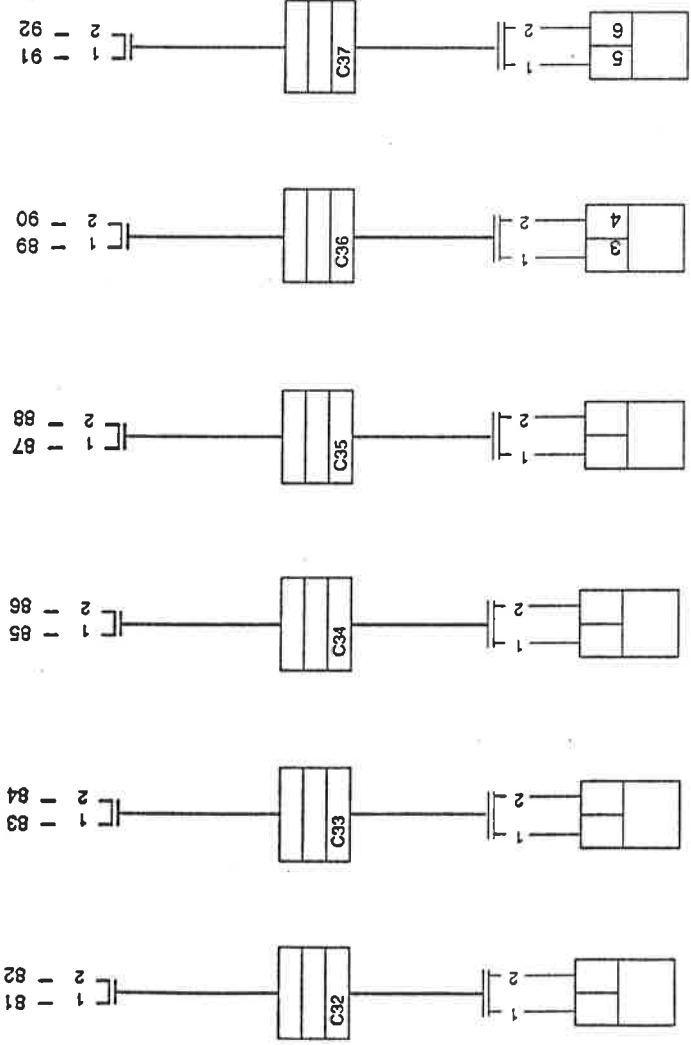



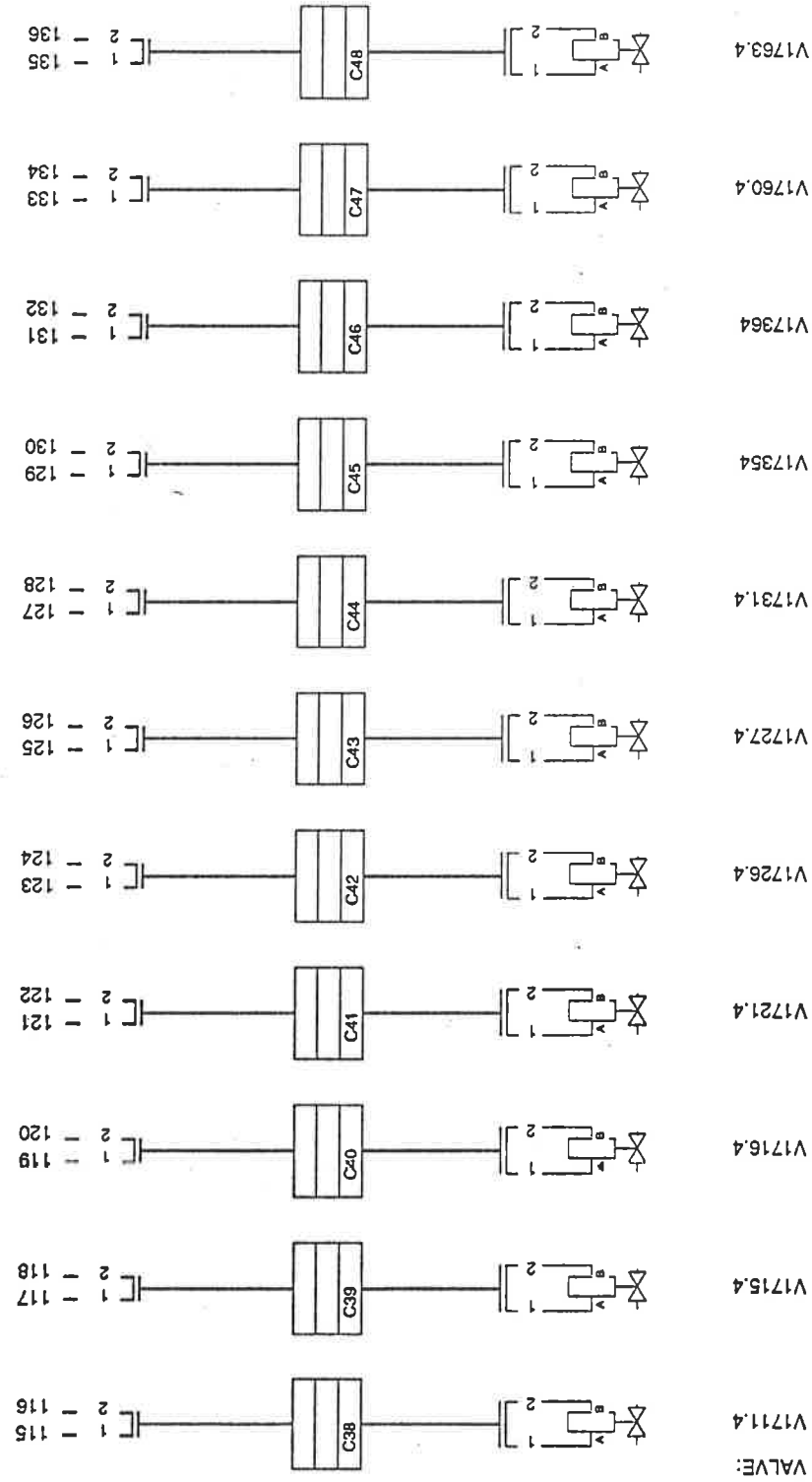
| |
|-----|
| 81 |
| 82 |
| 83 |
| 84 |
| 85 |
| 86 |
| 87 |
| 88 |
| 89 |
| 90 |
| 91 |
| 92 |
| 93 |
| 94 |
| 95 |
| 96 |
| 97 |
| 98 |
| 99 |
| 100 |
| 101 |
| 102 |
| 103 |
| 104 |
| 105 |
| 106 |
| 107 |
| 108 |
| 109 |
| 110 |
| 111 |
| 112 |
| 113 |
| 114 |




CS 1701:1
 CS 1701:2
 CS 1702:1
 CS 1702:2
 QS 1701
 QS 1701

| | | | | |
|--|--|--|--------------------------------------|--|
|  AKVAPUR | | DATUM 90-12-17 <small>AVL. NR.</small> | <small>SKALA</small> 3D-5815D 4/7 | <small>REV.</small> A |
| | | <small>PRILAD</small> MJN <small>GRANSKAD</small> UEH | <small>RITN. NR.</small> | <small>TECHNOEXPORT-SPOLANA</small> DEMINERALIZATION LINE CROSS CONNECTION CABINET EXTERNAL CONNECTIONS |

| |
|-----|
| 115 |
| 116 |
| 117 |
| 118 |
| 119 |
| 120 |
| 121 |
| 122 |
| 123 |
| 124 |
| 125 |
| 126 |
| 127 |
| 128 |
| 129 |
| 130 |
| 131 |
| 132 |
| 133 |
| 134 |
| 135 |
| 136 |



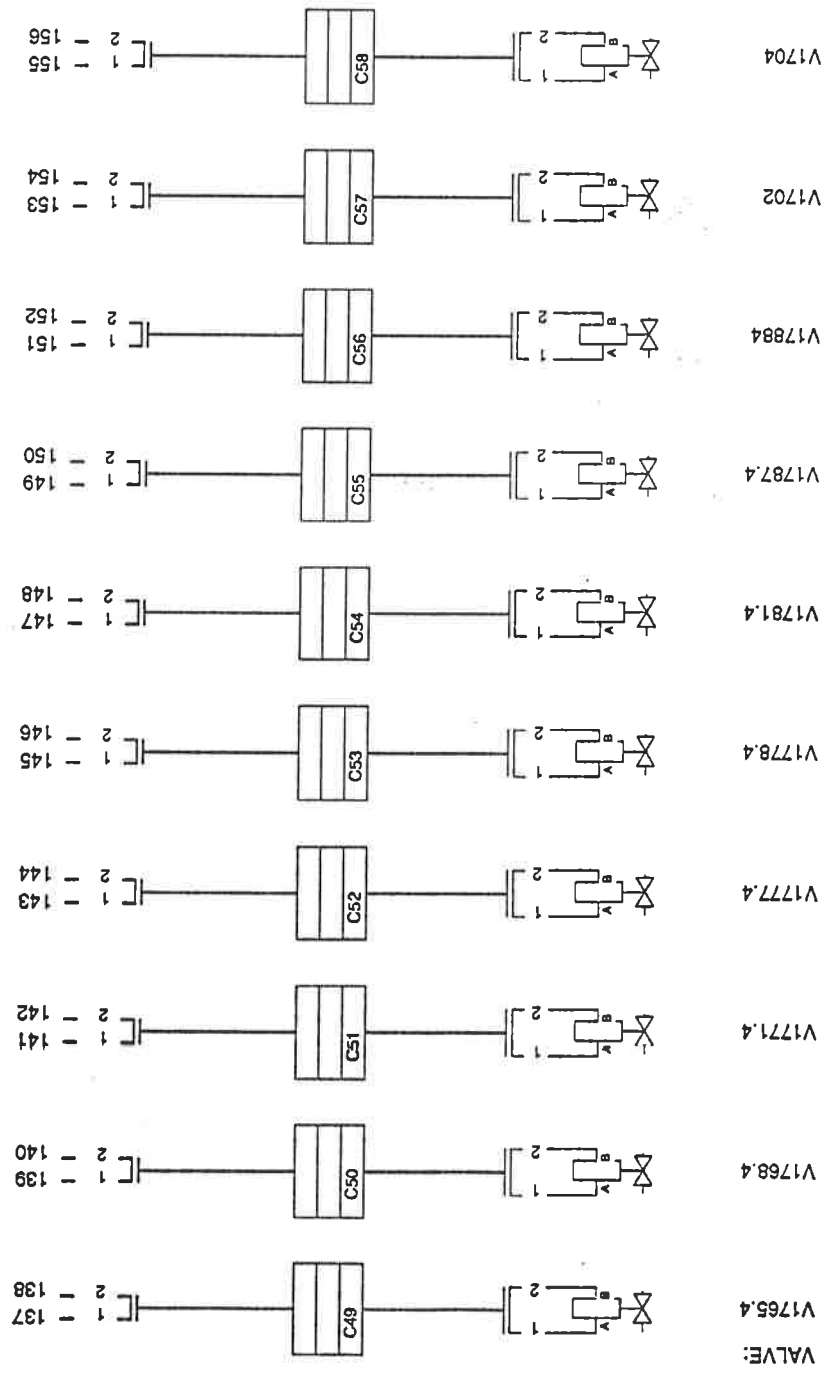



AKVAPUR

TECHNOEXPORT-SPOLANA
 DEMINERALIZATION LINE
 CROSS CONNECTION CABINET
 EXTERNAL CONNECTIONS

| | | | |
|----------|-----|----------|--------------|
| RITAD | MJN | DATUM | REV. |
| GRANSKAD | UEH | 90-12-17 | A |
| | | ANL. NR | RITN. NR |
| | | SKALA | 3D-5815D 5/7 |

| |
|-----|
| 137 |
| 138 |
| 139 |
| 140 |
| 141 |
| 142 |
| 143 |
| 144 |
| 145 |
| 146 |
| 147 |
| 148 |
| 149 |
| 150 |
| 151 |
| 152 |
| 153 |
| 154 |
| 155 |
| 156 |
| 157 |
| 158 |
| 159 |
| 160 |
| 161 |
| 162 |
| 163 |
| 164 |
| 165 |
| 166 |
| 167 |
| 168 |
| 169 |
| 170 |

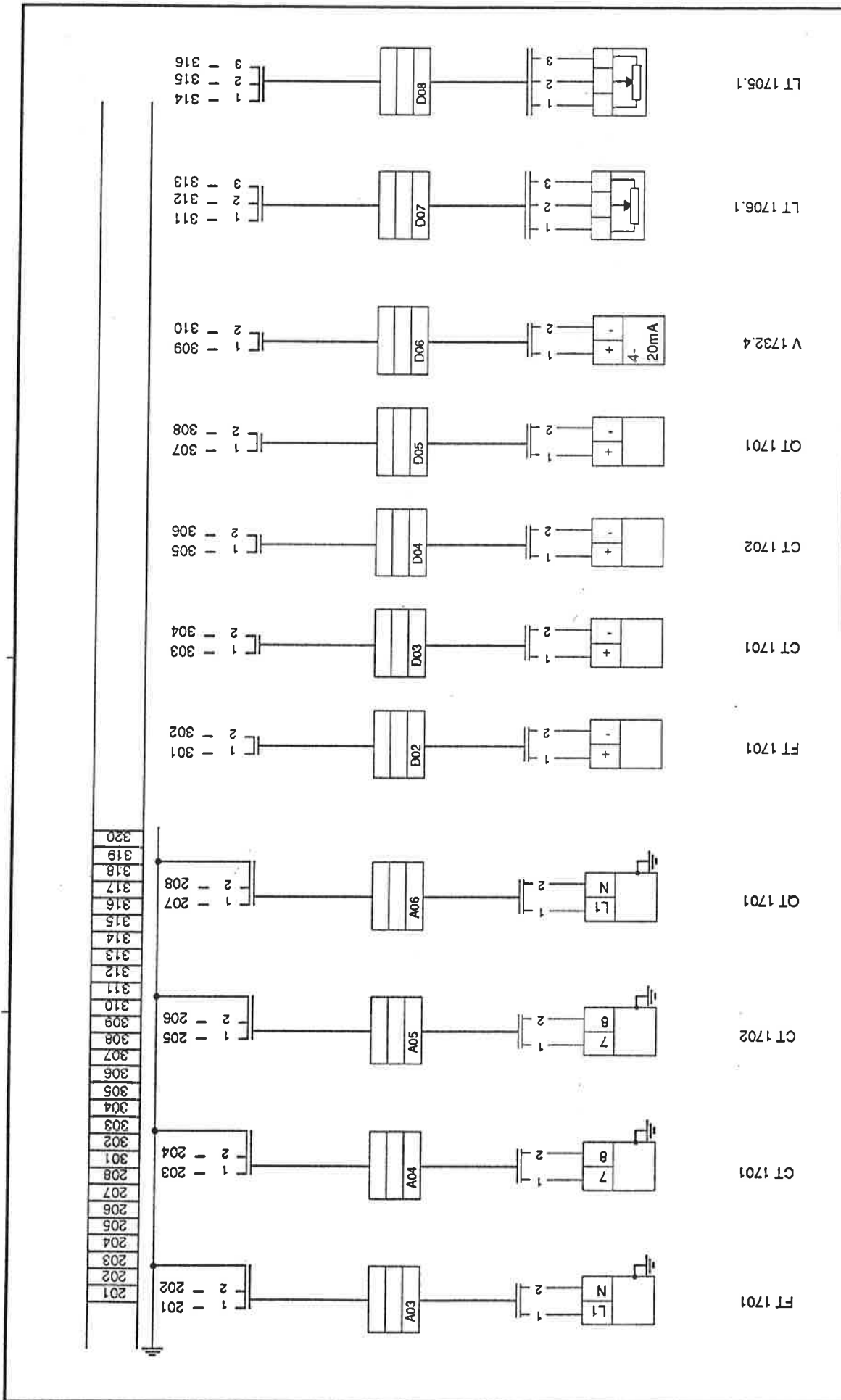




AKVAPUR

TECHNOEXPORT-SPOLANA
 DEMINERALIZATION LINE
 CROSS CONNECTION CABINET
 EXTERNAL CONNECTIONS

| | | | |
|----------|-----|---------|--------------|
| FITAD | MUN | DATUM | 90-12-17 |
| GRANSKAD | LEH | ANL. NR | |
| SKALA | | FITN NR | 3D-5815D 6/7 |
| REV. | | | A |



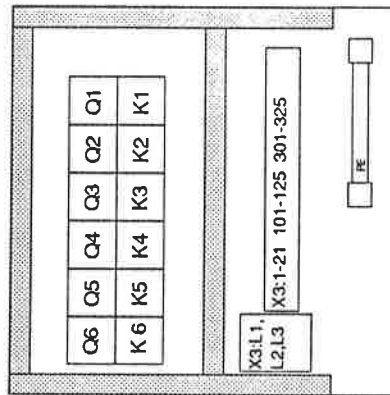
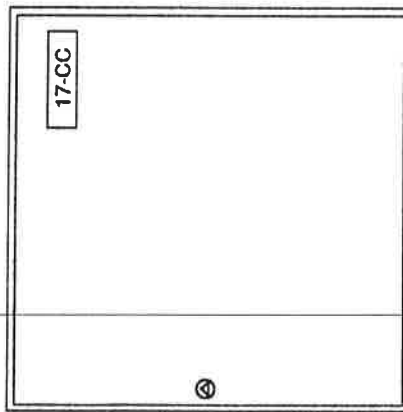
AKVAPUR

RITAD MUN DATUM 90-12-17
GRANSKAD UEH ANL. NR

SKALA RITN NR 3D-5815D 7/7 REV. A

TECHNOEXPORT-SPOLANA
 DEMINERALIZATION LINE
 CROSS CONNECTION CABINET
 EXTERNAL CONNECTIONS

CABINET SE 83 84 30
 H: 840mm
 W: 840mm
 D: 300mm



AKVAPUR

TECHNOEXPORT-SPOLANA

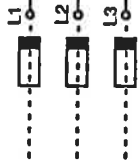
DEMINERALIZATION LINE
 CONTACTOR CABINET
 LAY OUT 17-CC

| | | | |
|----------|-----|---------|----------|
| RTAD | JAN | DATUM | 90-12-17 |
| GRANSKAD | UEH | ANL. NR | |

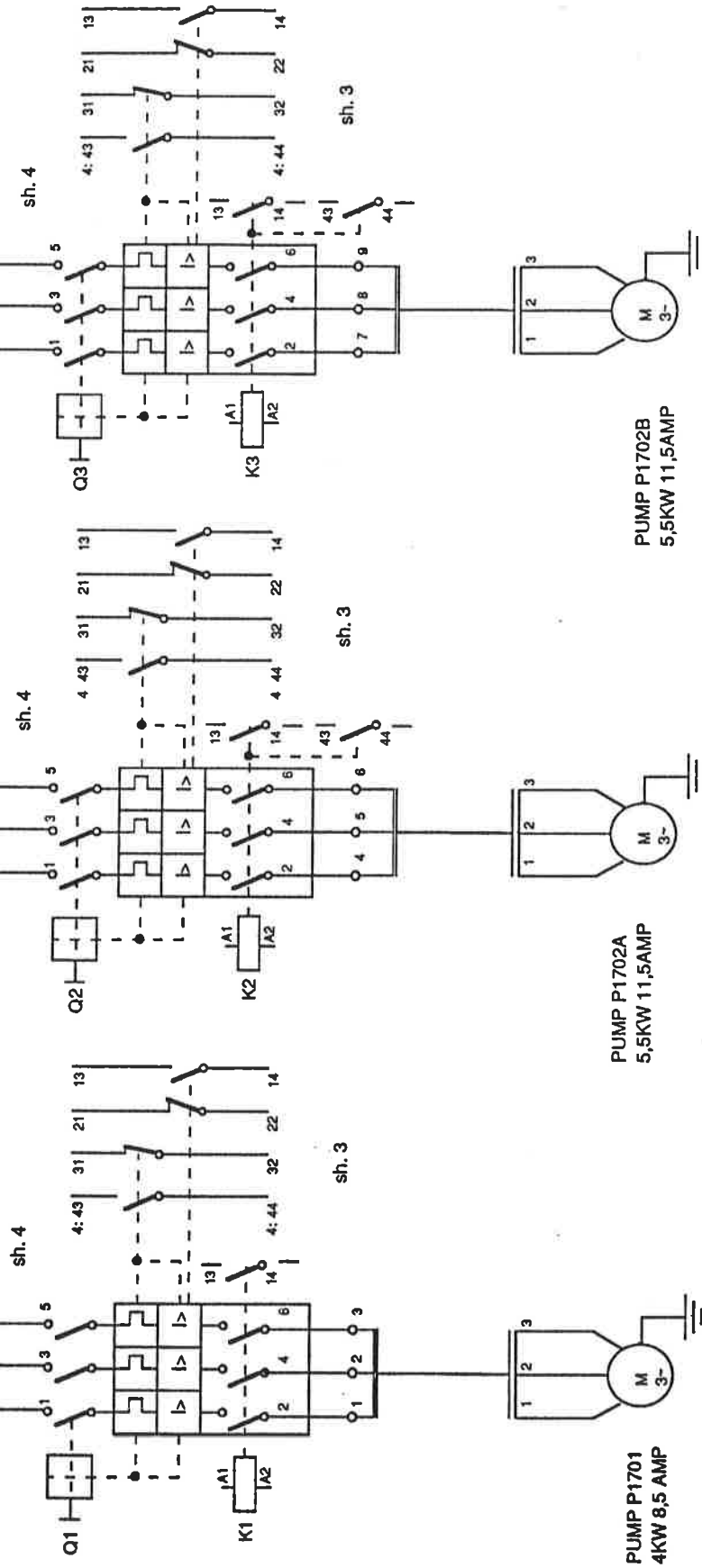
| | | | | | | |
|-------|------|----------|----------|-----|------|---|
| SKALA | 1:10 | RITR. NR | 3D-5816A | 1/1 | REV. | A |
|-------|------|----------|----------|-----|------|---|

22VA 91-02-05

POWER SUPPLY
380/3/50 125A



sh. 2



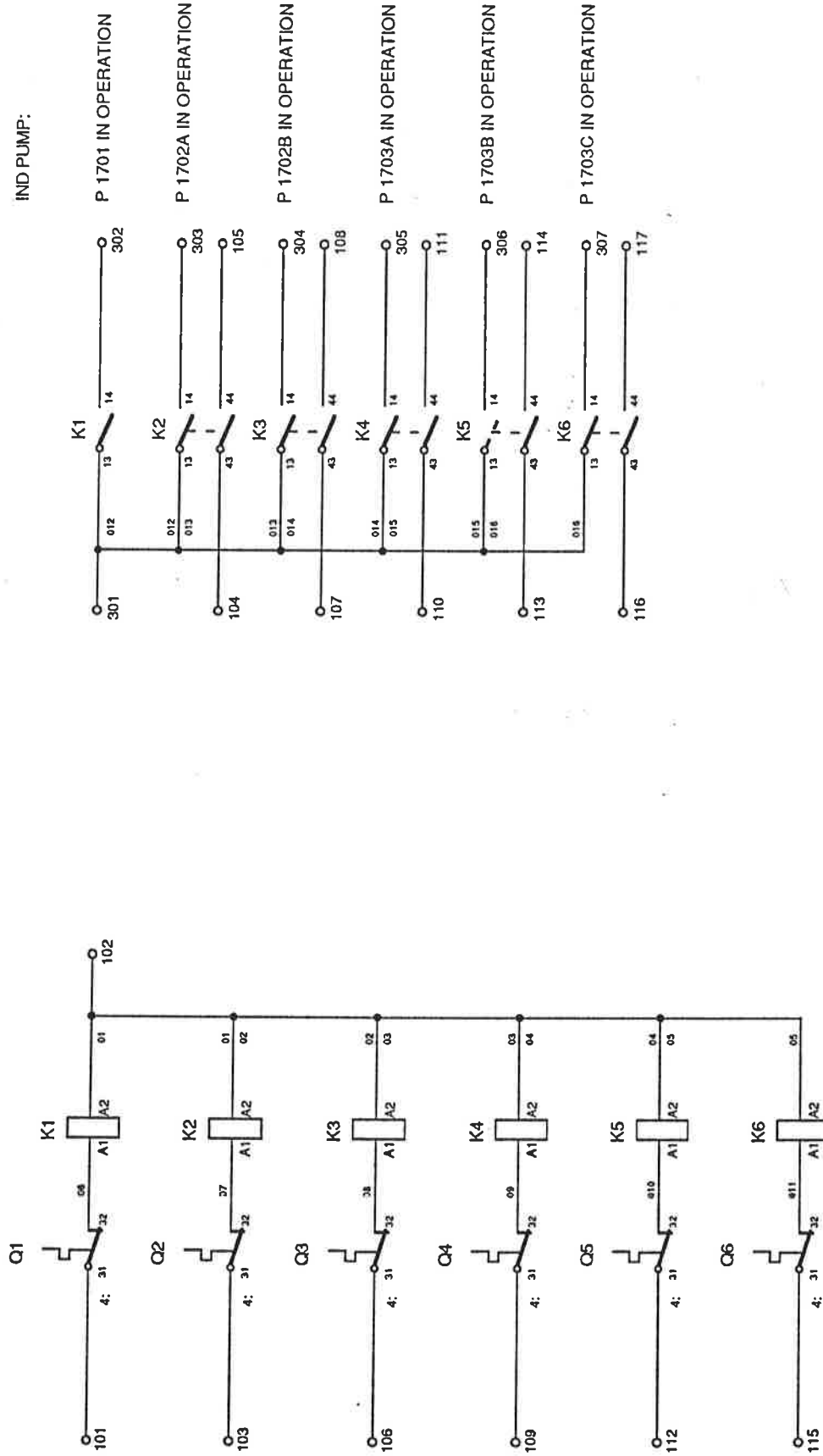
TECHNOEXPORT-SPOLANA
DEMINEZALIZATION LINE
CONTACTOR CABINET
CIRCUIT DIAGRAM



| | | | |
|----------|-----|--------|----------|
| RITAD | JAN | DATUM | 90-12-17 |
| GRANSKAD | UEH | ANL.NR | |

| | | | |
|-------|---------|----------|-----|
| SKALA | RITM NR | 3D-5816C | 1/4 |
| REV. | A | | |

IND PUMP:

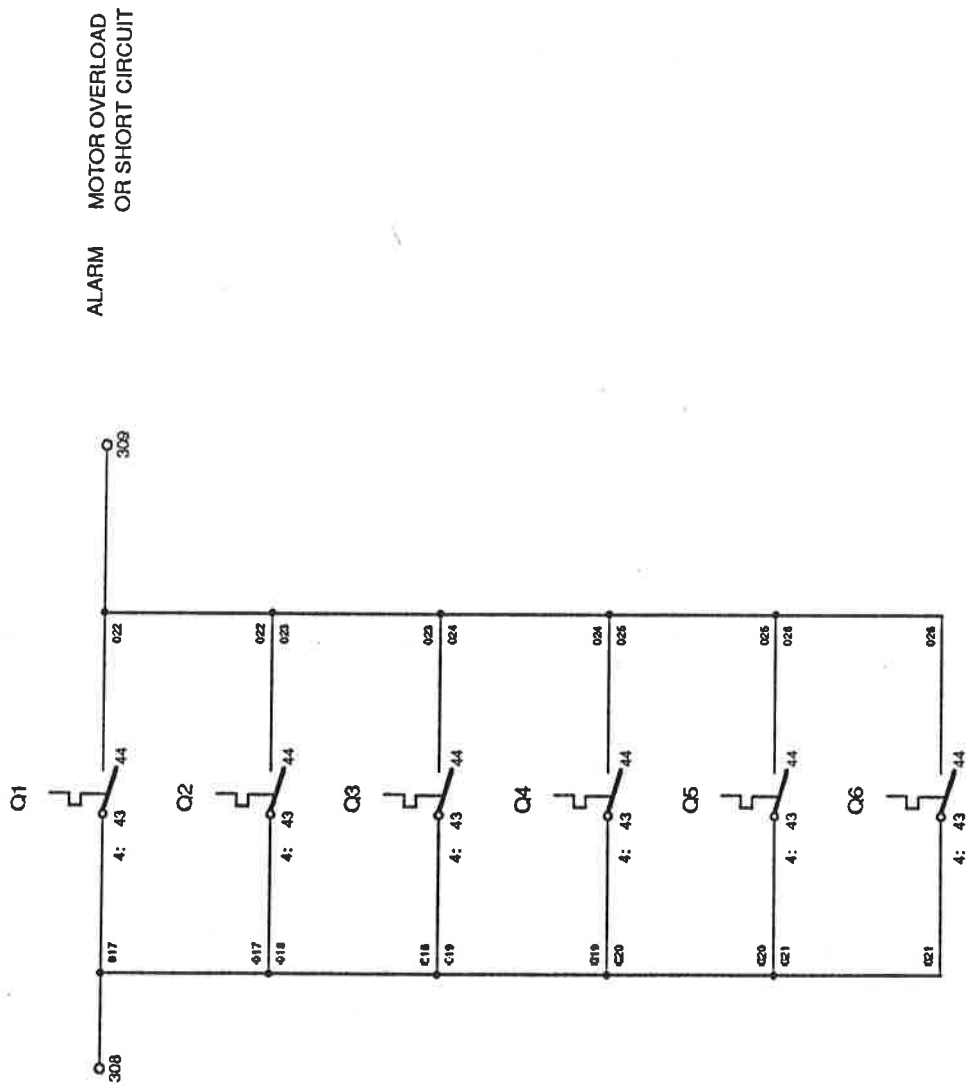


AKVAPUR

TECHNOEXPORT-SPOLANA
 DEMINERALIZATION LINE
 CONTACTOR CABINET
 CIRCUIT DIAGRAM

| | | | |
|----------|-----|---------|----------|
| RITAD | JAN | DATUM | 90-12-17 |
| GRANSKAD | UBH | ANIL NR | |

| | | |
|-------|----------|------|
| SKALA | RITN NR | REV. |
| | 3D-5816C | A |



AKVAPUR

| | | | |
|----------|-----|--------|----------|
| RITAD | JAN | DATUM | 90-12-17 |
| GRANSKAD | UEH | AVL.NR | |

TECHNOEXPORT-SPOLANA
 DEMINERALIZATION LINE
 CONTACTOR CABINET
 CIRCUIT DIAGRAM

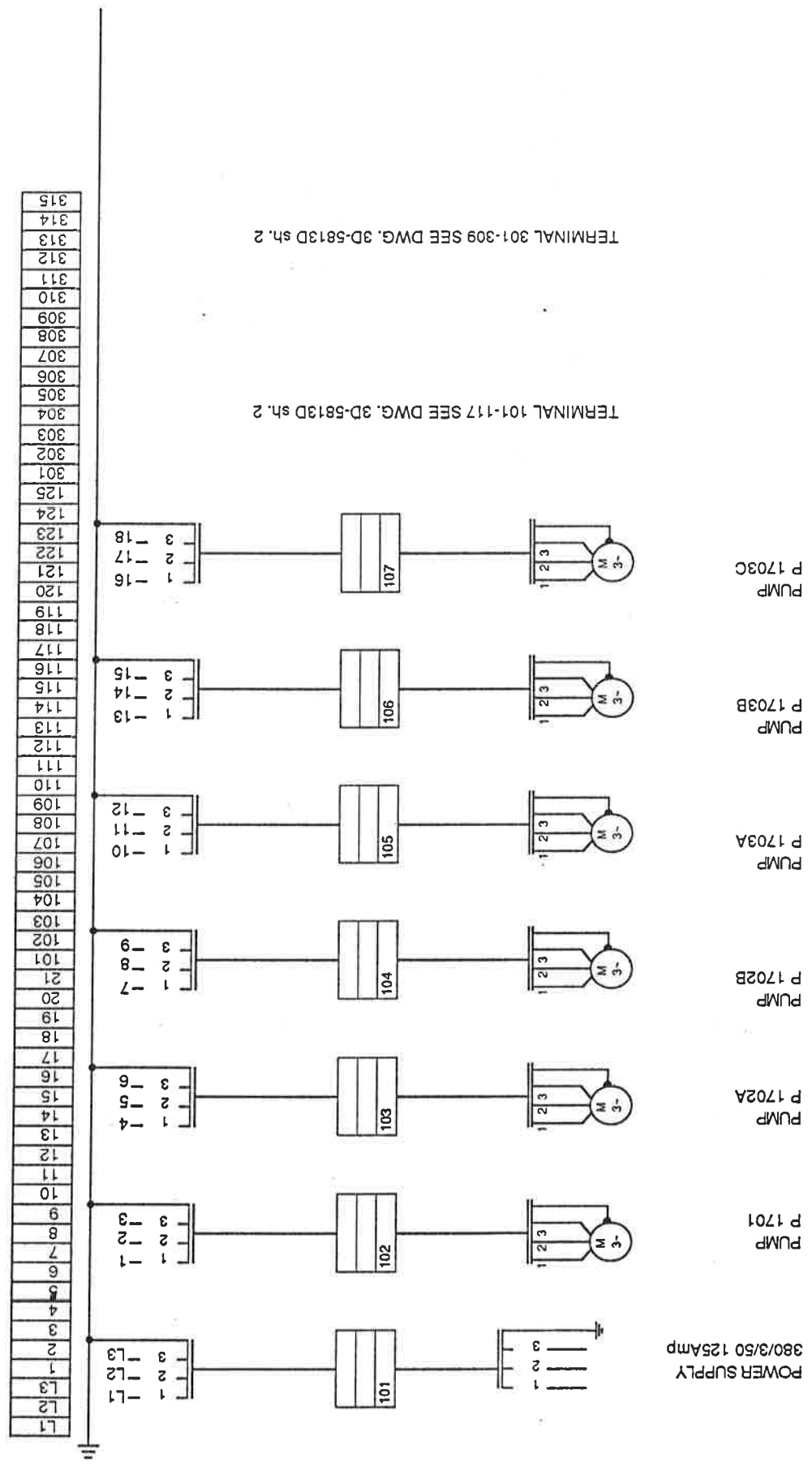
| | | |
|--------|----------|------|
| SIKALA | RITN.NR | REV. |
| | 3D-5816C | 4/4 |
| | | A |

TECHNOEXPORT-SPOLANA
 DEMINERALIZATION LINE
 CONTACTOR CABINET
 EXTERNAL CONNECTIONS



RITAD: JAN
 GRANIVAD: UEH
 DATUM: 90-12-17
 ANL. NR:

SKALA: 1:10
 PRIM. NR: 3D-5816D
 1/1
 REV. A



POWER SUPPLY
 380/3/50 125Amp

PUMP
 P 1701

PUMP
 P 1702A

PUMP
 P 1702B

PUMP
 P 1703A

PUMP
 P 1703B

PUMP
 P 1703C

TERMINAL 101-117 SEE DWG. 3D-5813D sh. 2

TERMINAL 301-309 SEE DWG. 3D-5813D sh. 2

